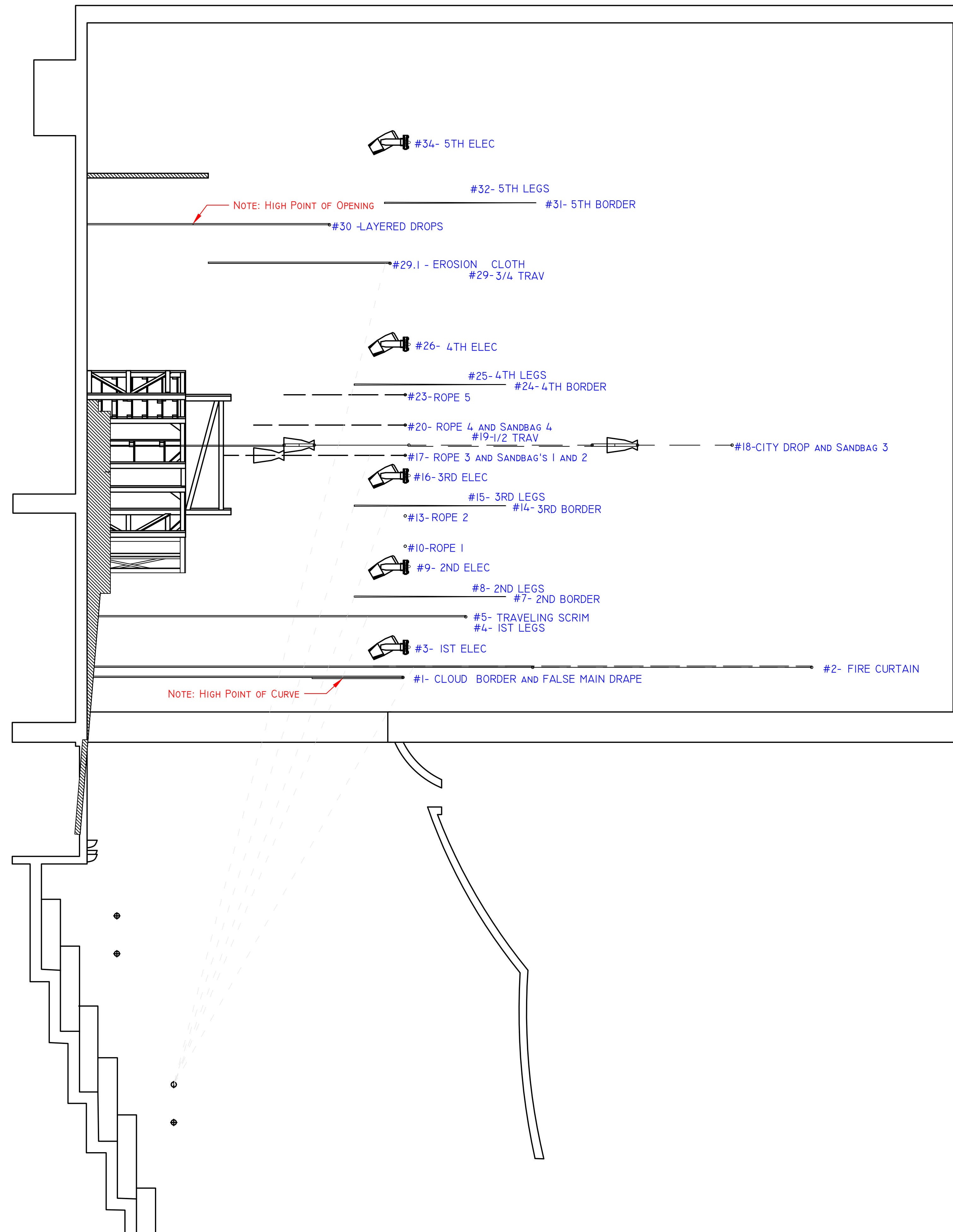


- #37- WIND BREAK
- #36- MUSLIN CYC
- #35-
- #34- 5TH ELEC
- #33- BLACK SCRIM
- #31- 5TH BORDER
- #30- LAYERED DROPS
- #29.2 -
- #29.1 EROSION CLOTH
- #29- 3/4 TRAV
- #28- EXTRA BORDER
- #27-
- #26- 4TH ELEC
- #25- 4TH LEGS
- #24- 4TH BORDER
- #23- ROPE 5
- #22-
- #21-
- #20- ROPE 4 AND SB 4
- #19- 1/2 TRAV
- #18- CITY DROP AND SB 3
- #17- ROPE 3 AND SB'S 1 AND 2
- #16- 3RD ELEC
- #15- 3RD LEGS
- #14- 3RD BORDER
- #13- ROPE 2
- #12-
- #11-
- #10- ROPE 1
- #9- 2ND ELEC
- #8- 2ND LEGS
- #7- 2ND BORDER
- #6-
- #5- TRAVELING SCRIM
- #4- 1ST LEGS
- #3- 1ST ELEC
- #2- SHOW DROP- "FIRE CURTAIN"
- #1- CLOUD BORDER AND FALSE MAIN DRAPE



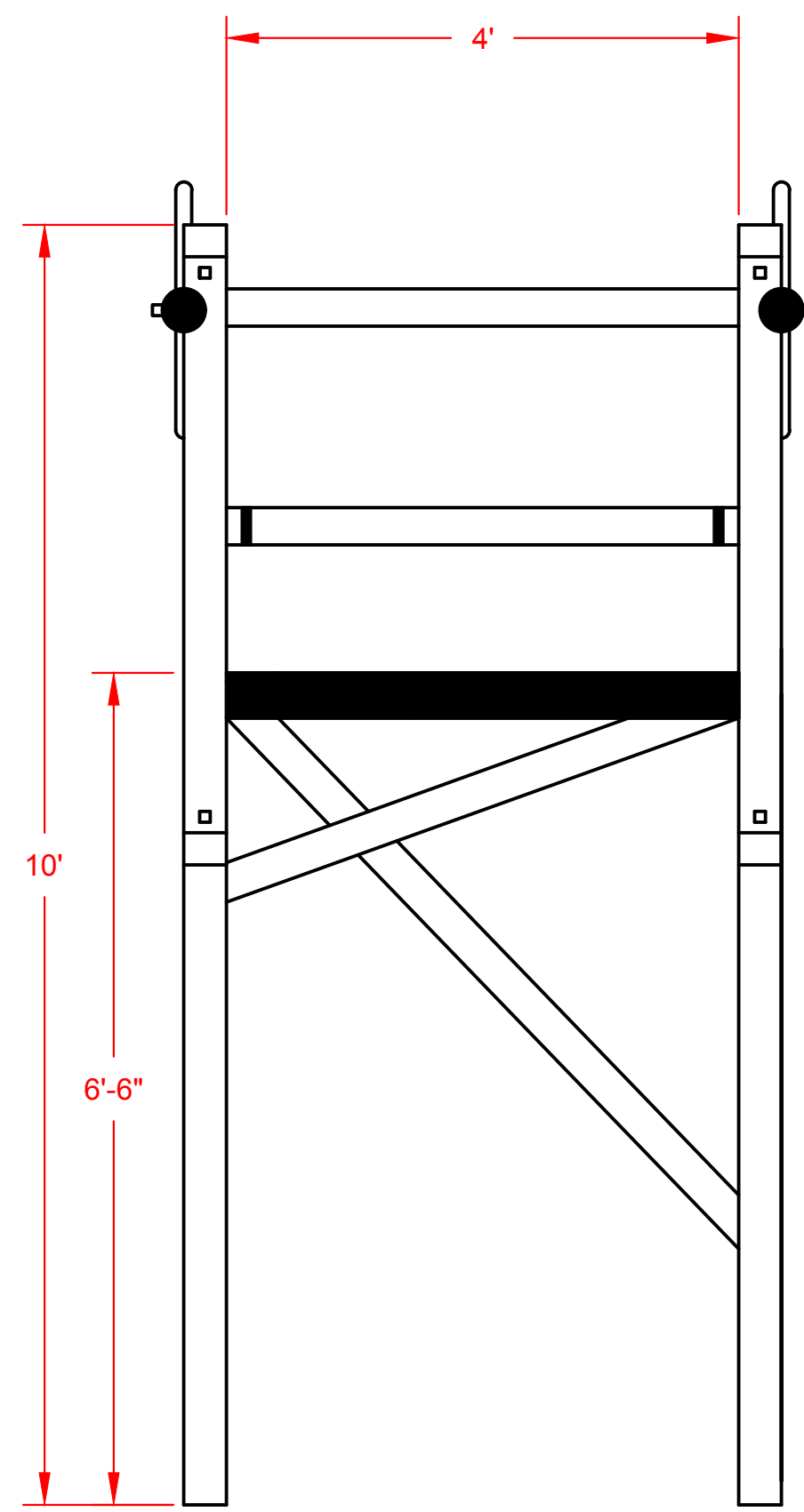
SWEENEY TODD

1/4 STAGE LEFT SECTION VIEW

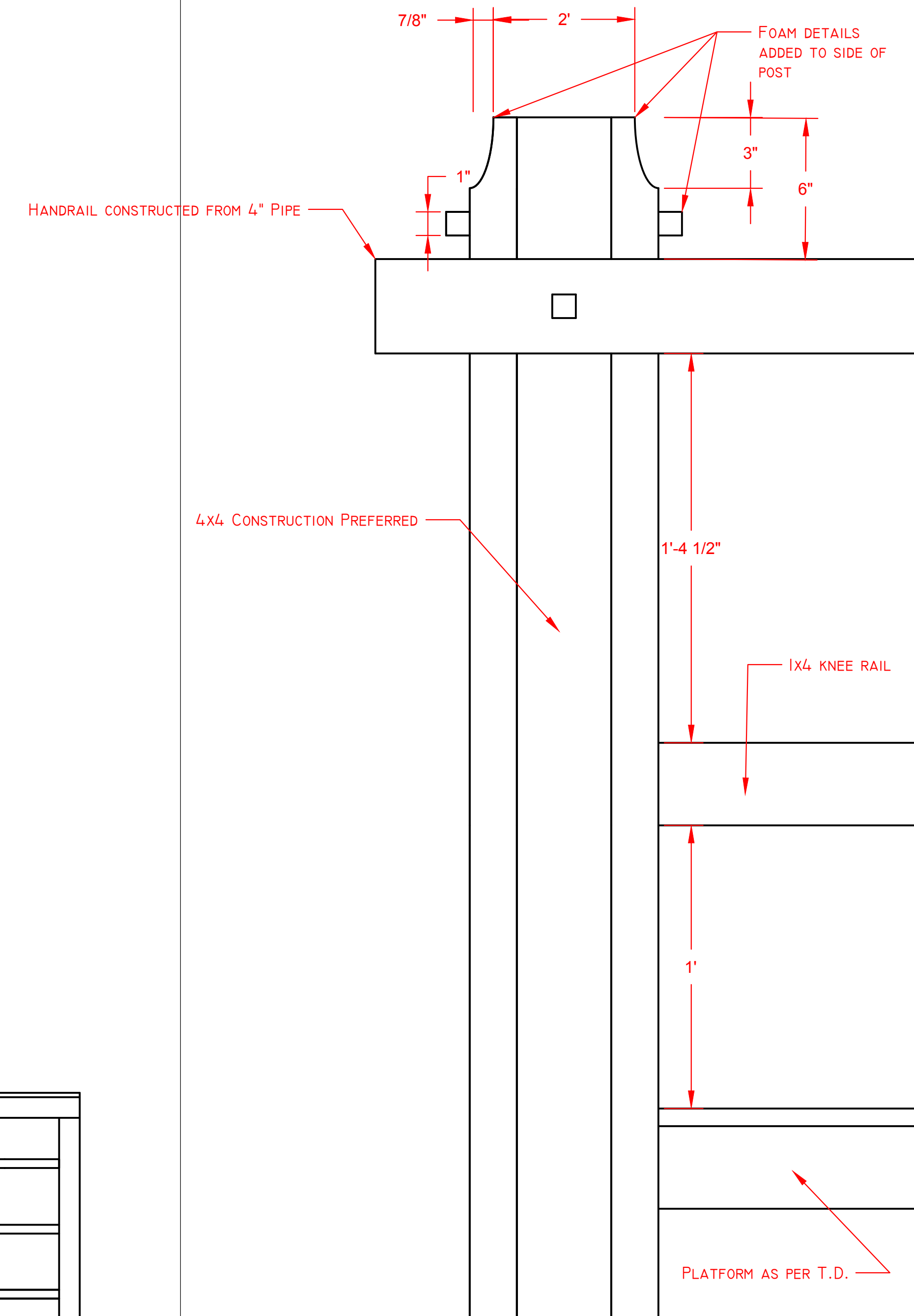
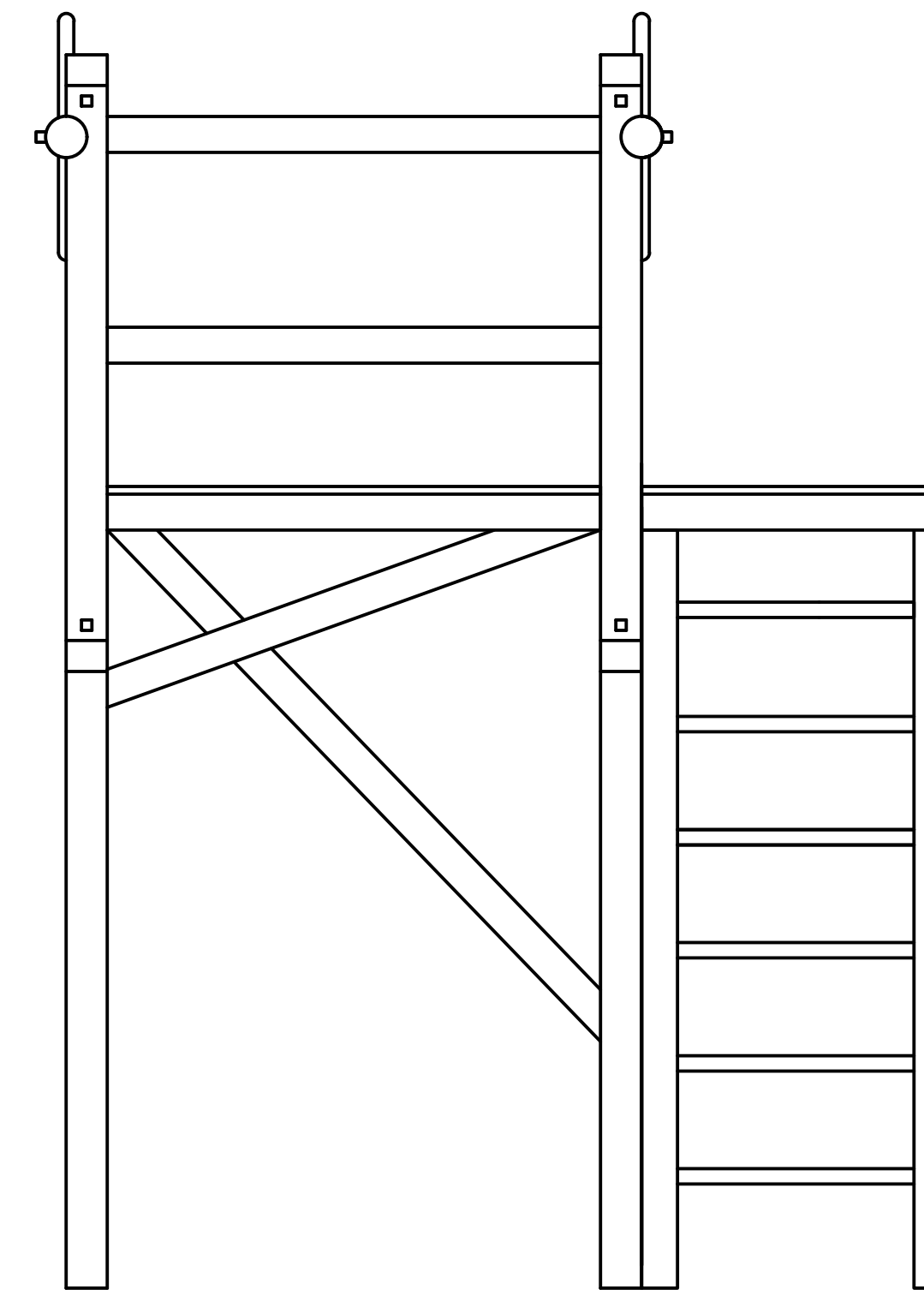
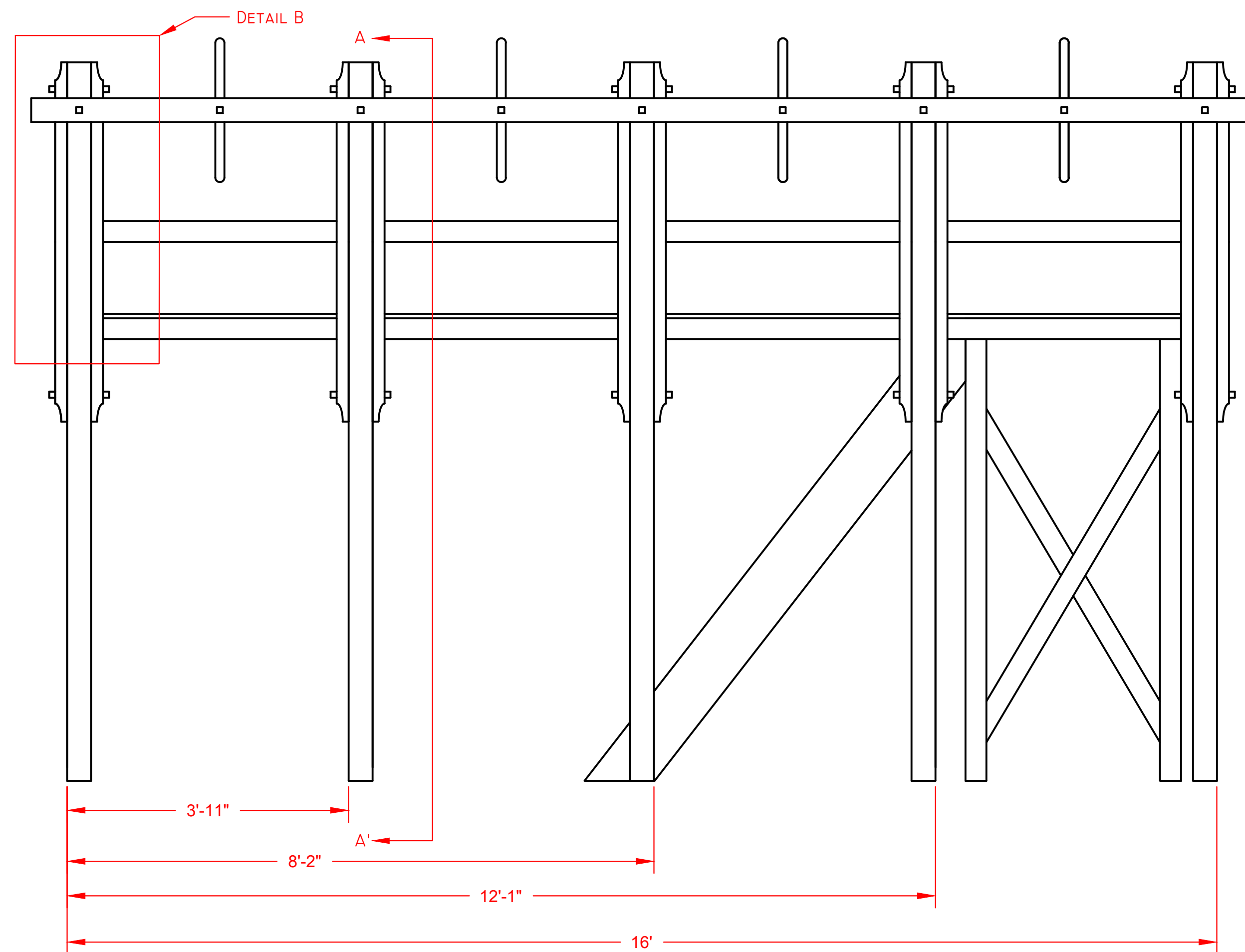
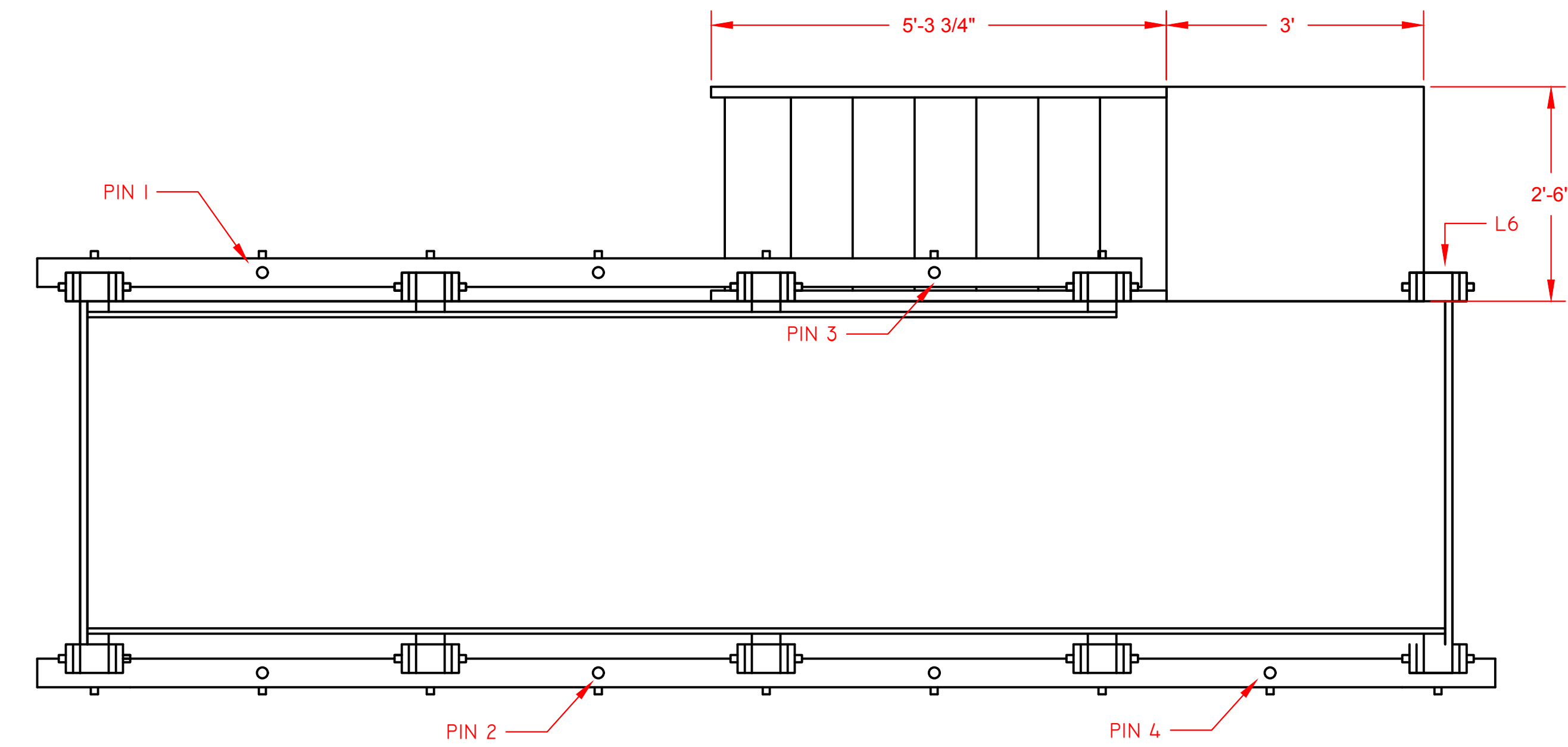
SCALE: 1/4"=1'-0" DATE: 10/09/2022 DRAFT: P. LANCE

SR UNIT NOTES:

- DRESS WITH ROPE AS PIN RAIL, REFERENCE LINESSET LAYOUT
- LUMBER SUBSTITUTIONS FINE
- ADD HANDRAILS TO STEPS
- ADDITIONAL CROSSBRACING TO BE CONFIRMED BY DESIGNER
- ADD HOOKS FOR COSTUME PIECES AS NEEDED
- PLATFORMS PULLED FROM STOCK



SECTION A-A'

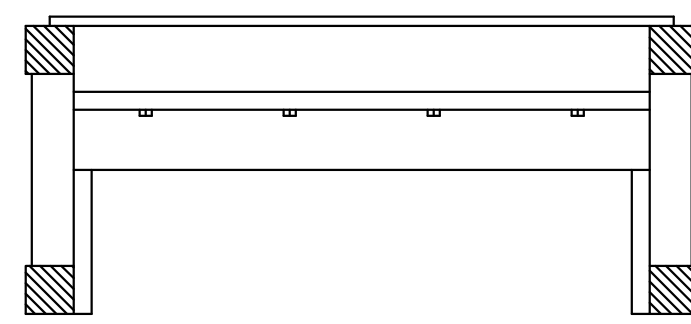


DETAIL B
SCALE: 3"=1'0"

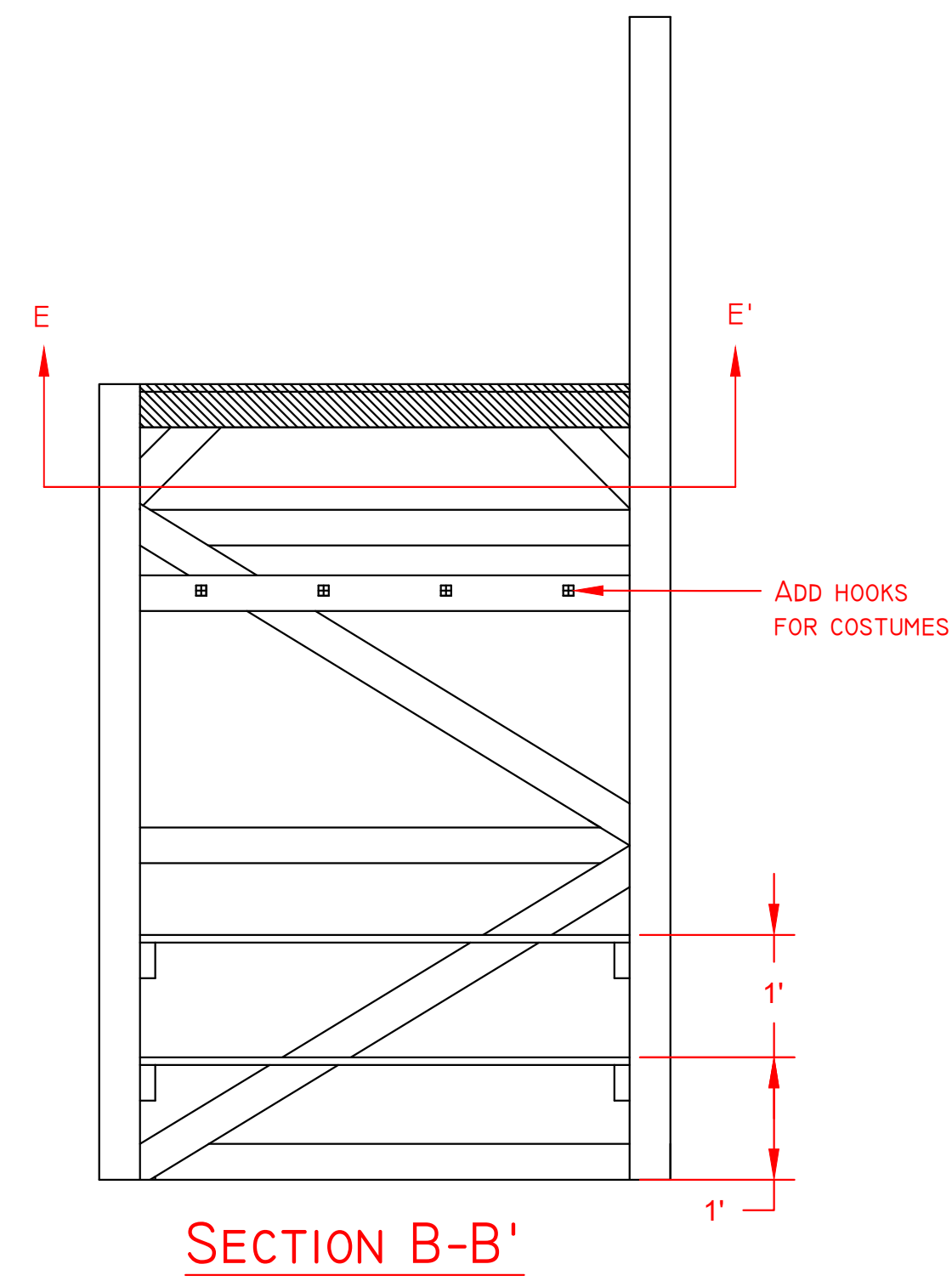
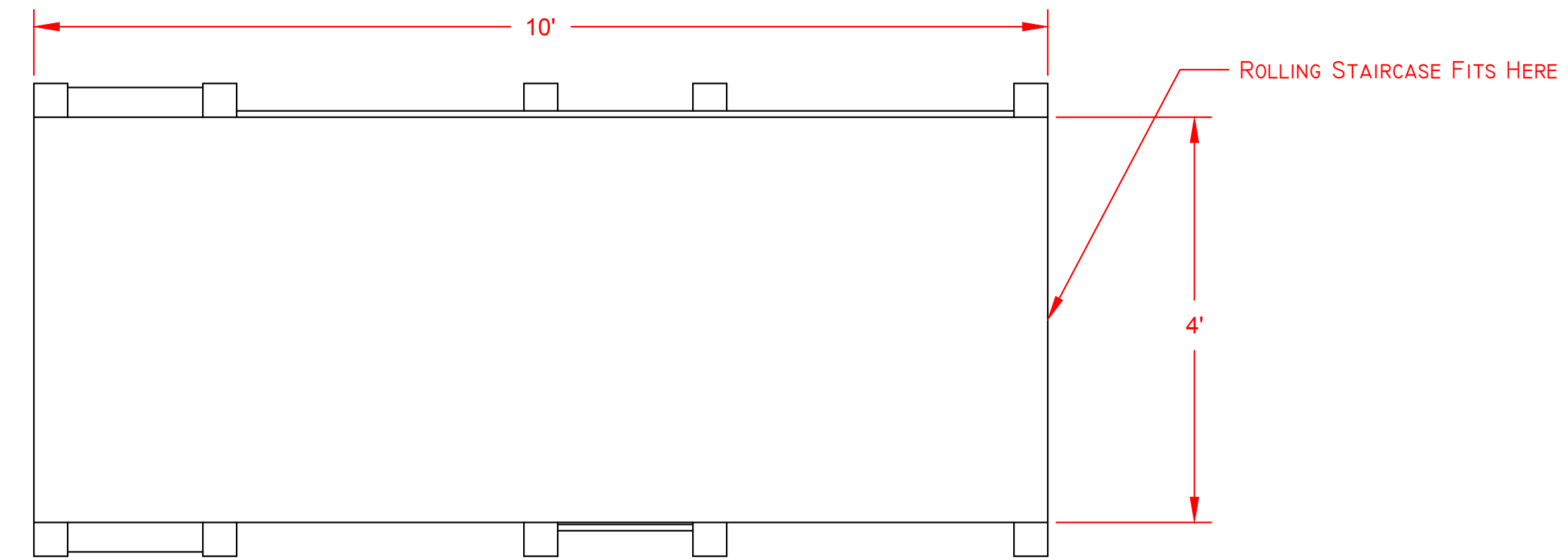
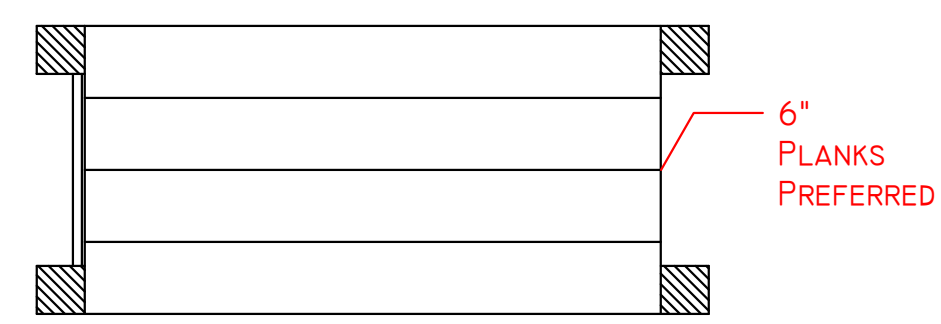
SL UNIT NOTES:

- USE SHELVES FOR PROP, FURNITURE, AND COSTUME STORAGE
- LUMBER SUBSTITUTIONS FINE
- ADDITIONAL CROSSBRACING TO BE CONFIRMED BY DESIGNER
- ADD HOOKS FOR COSTUME PIECES AS NEEDED
- PLATFORMS PULLED FROM STOCK
- DRESSED BY DESIGNER

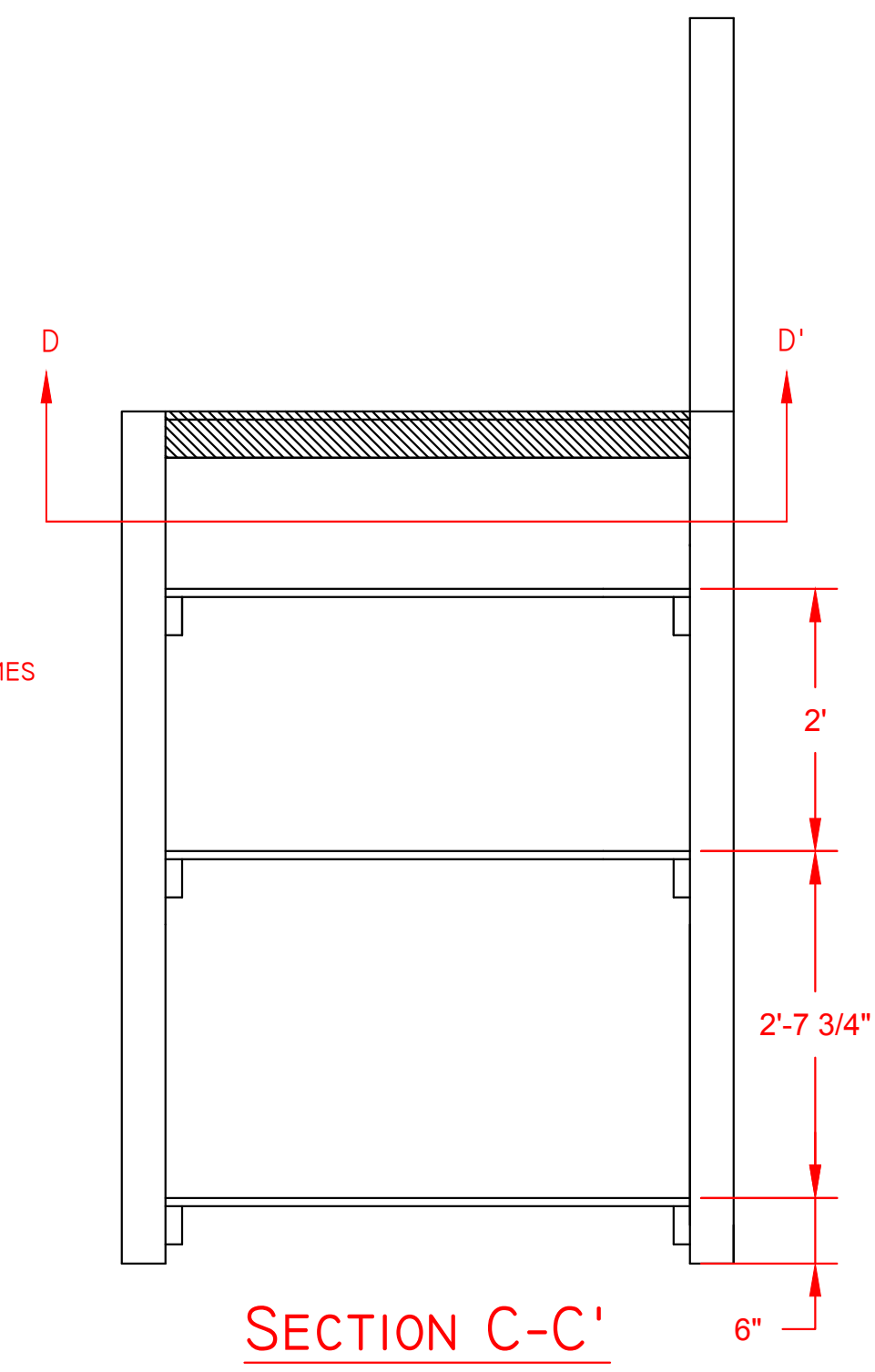
SECTION E-E'



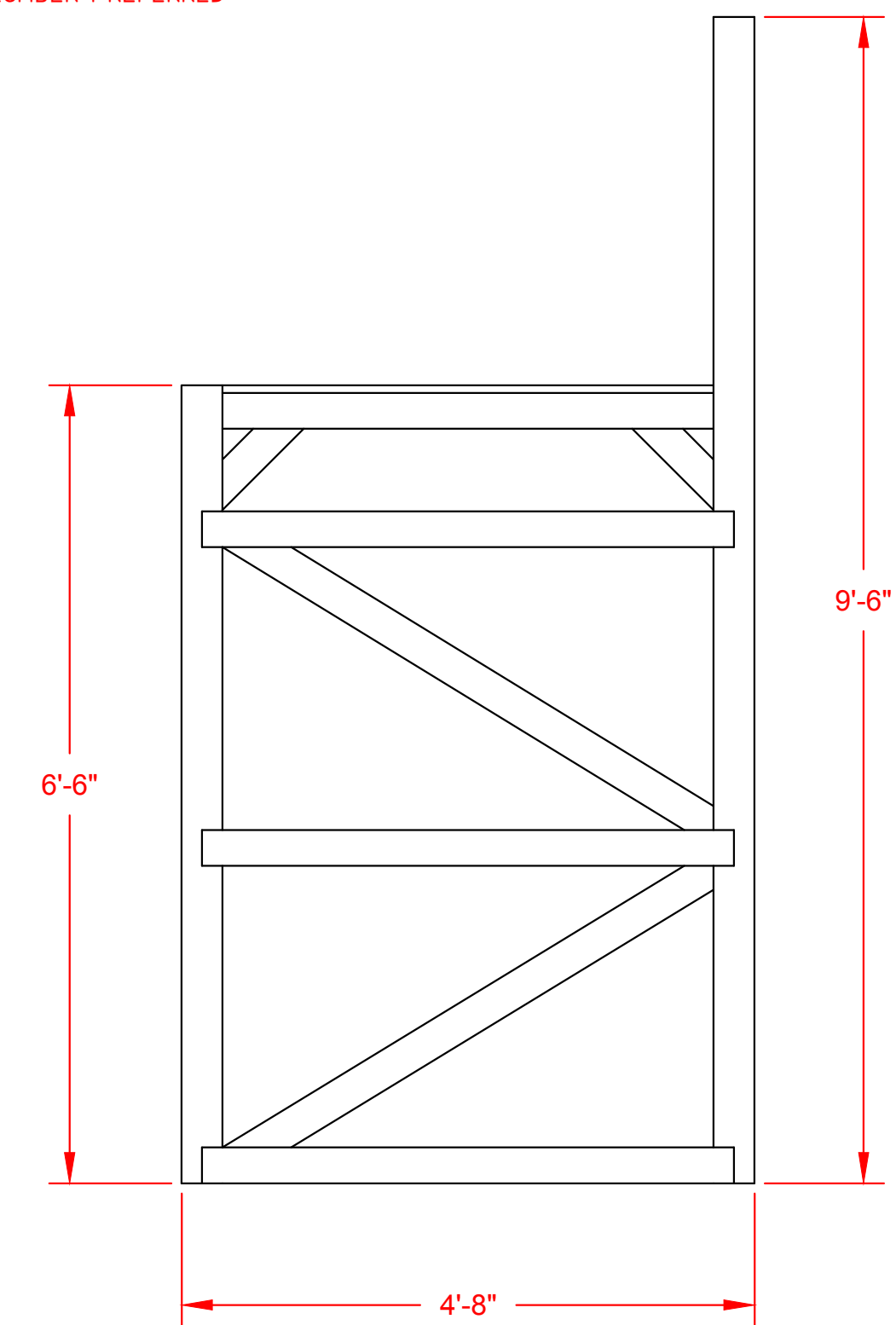
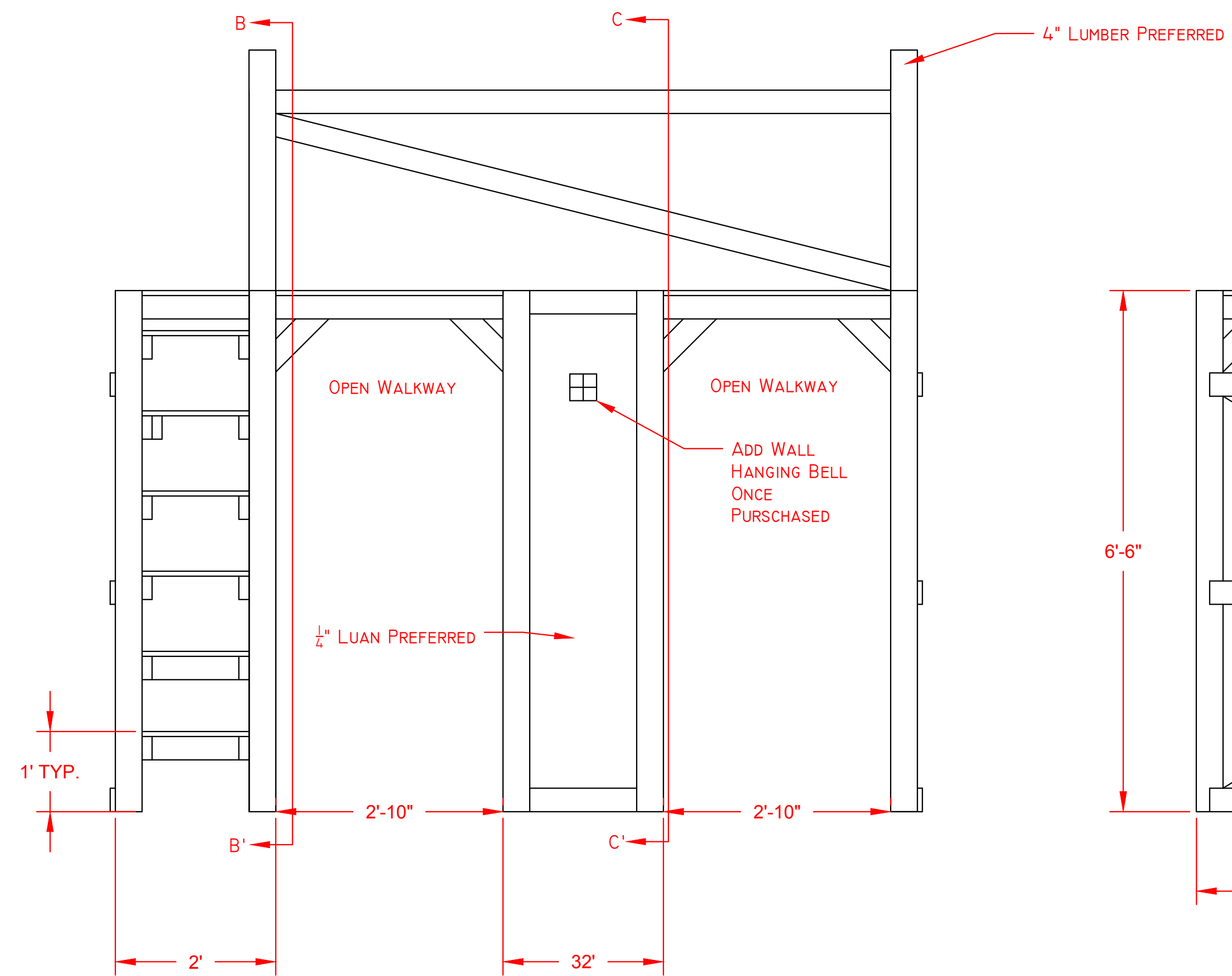
SECTION D-D'



SECTION B-B'

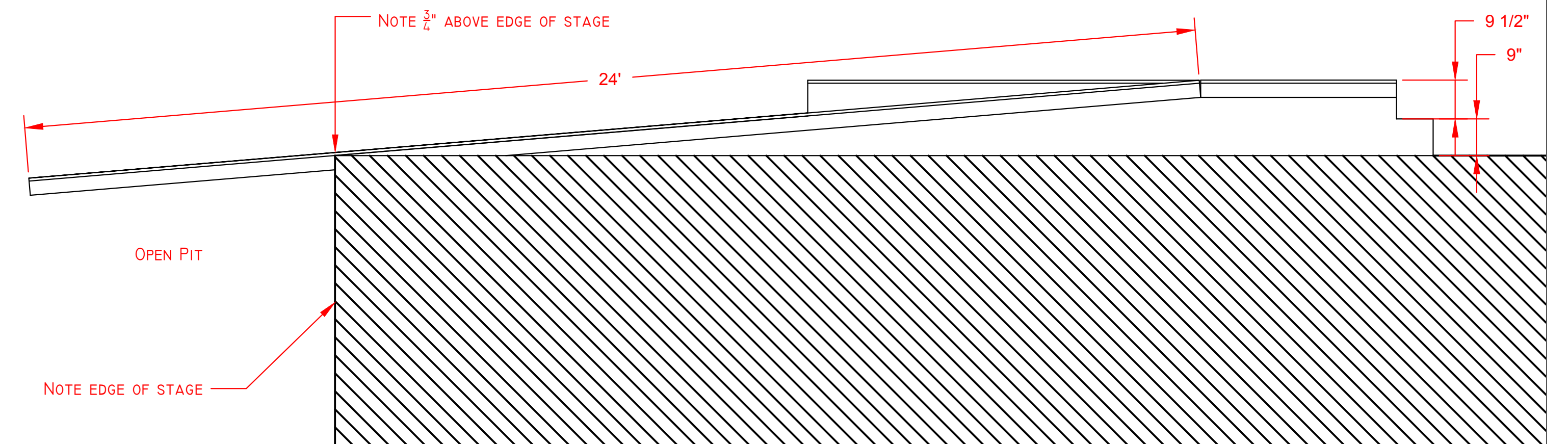
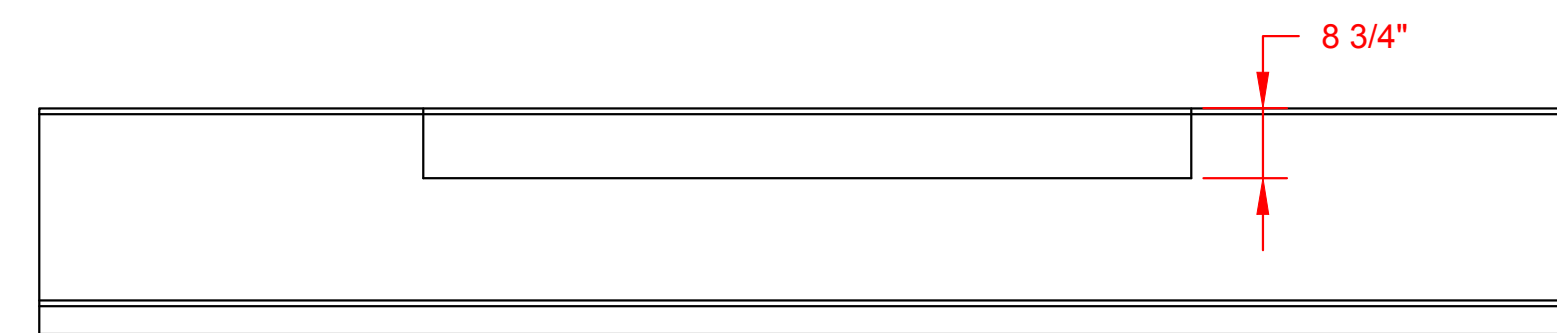
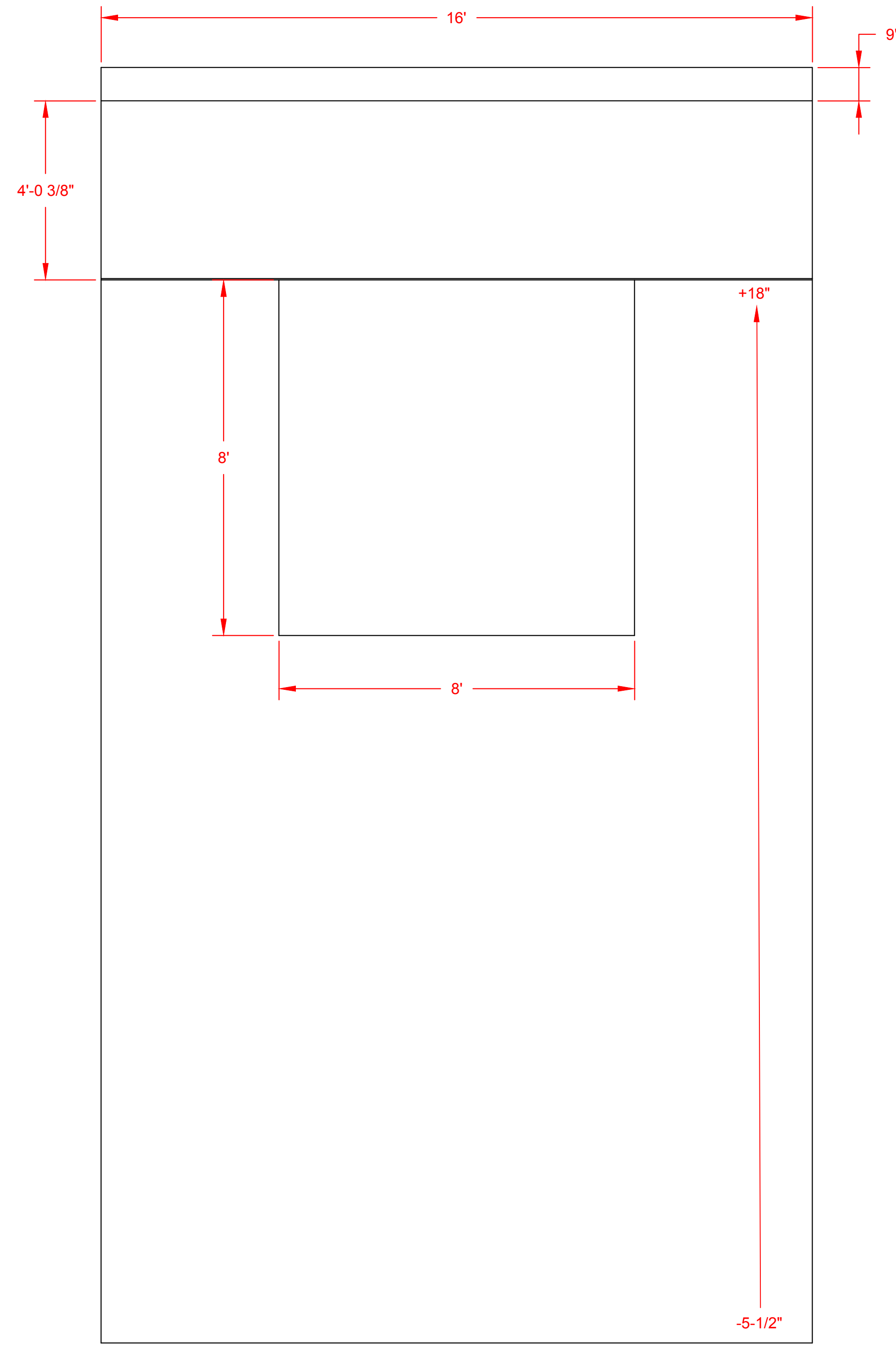


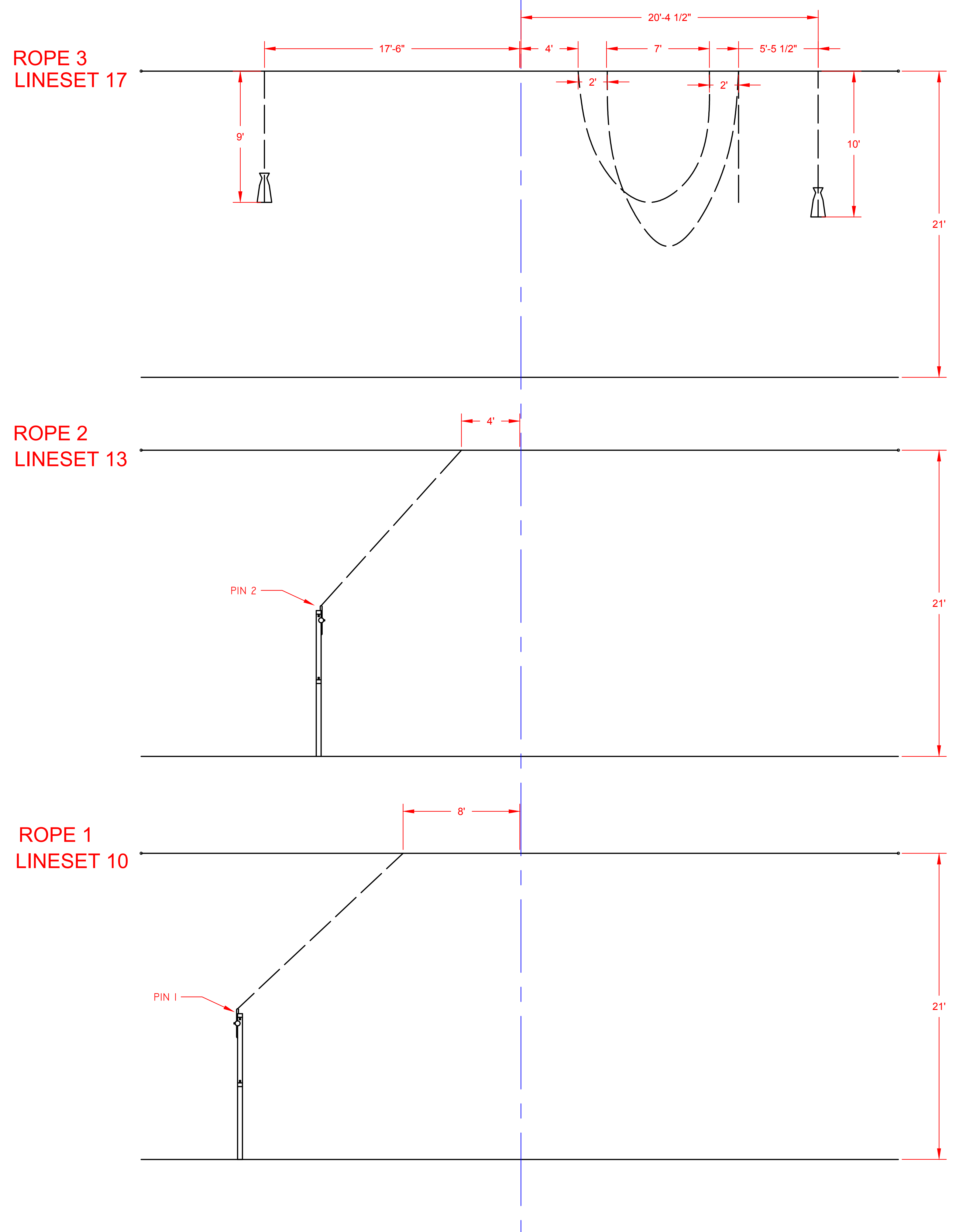
SECTION C-C'



RAKE NOTES:

- SIDES OF RAKE ARE NOT SKINNED
- RISE IS 1" EVERY 1'
- BRACE AS NEEDED
- 3/4" PLY PREFERRED FOR LID
- USE PLATFORMS PULLED FROM STOCK WHEN APPLICABLE

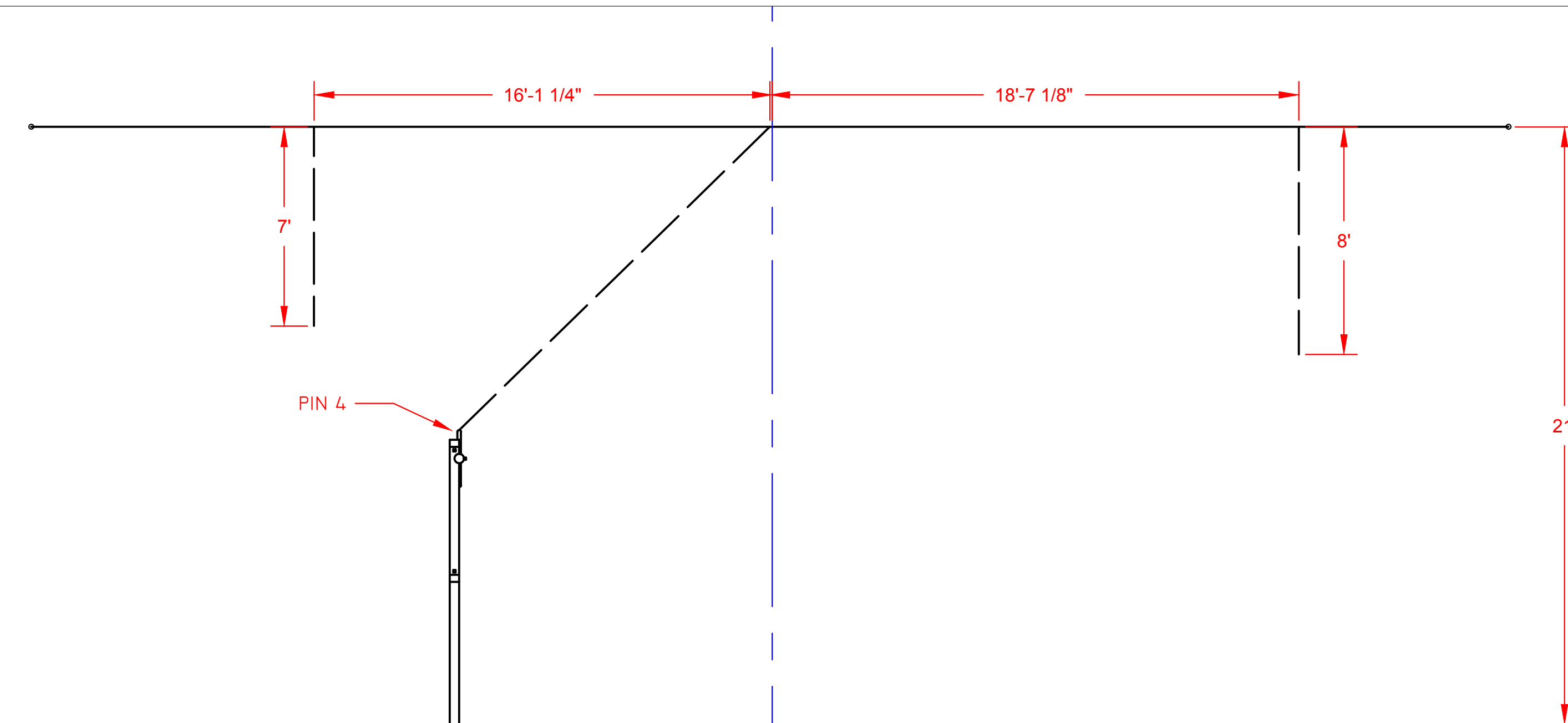




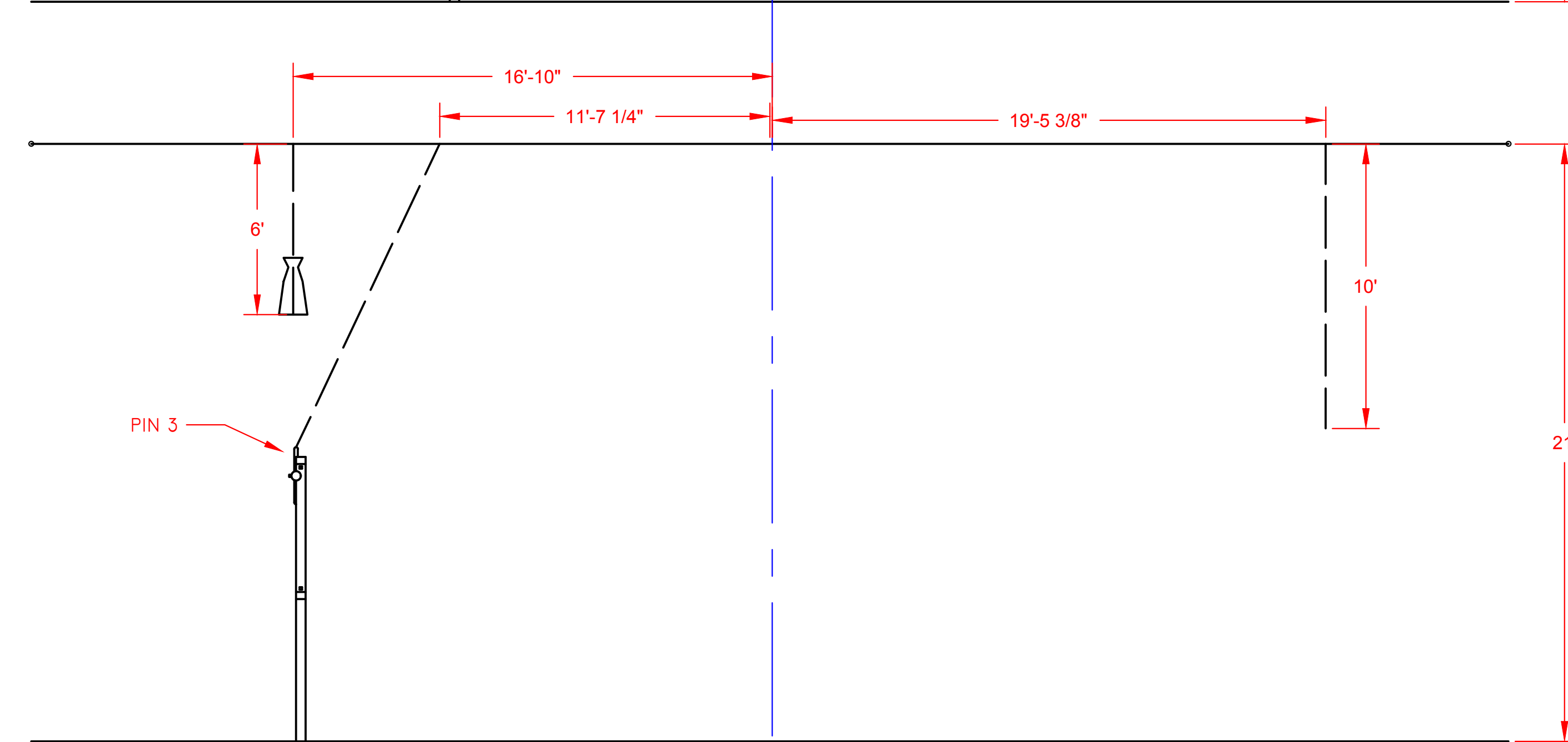
LINESET NOTES:

- ROPE DRESSED BY DESIGNER
- ROPE EDGES FRAYED
- COMPENSATE FOR SLACK ON ROPES TIED TO PIN RAIL

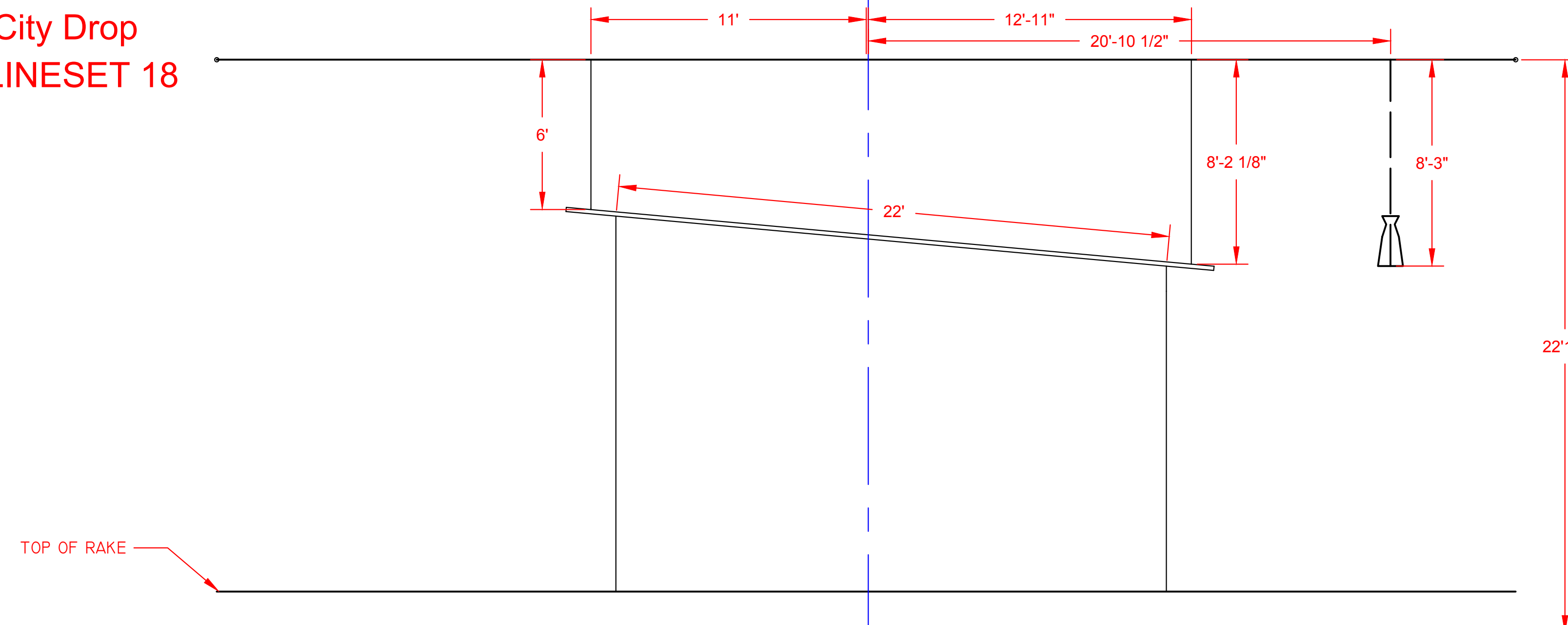
ROPE 5
LINESET 23



ROPE 4
LINESET 20



City Drop
LINESET 18



LINESET NOTES:

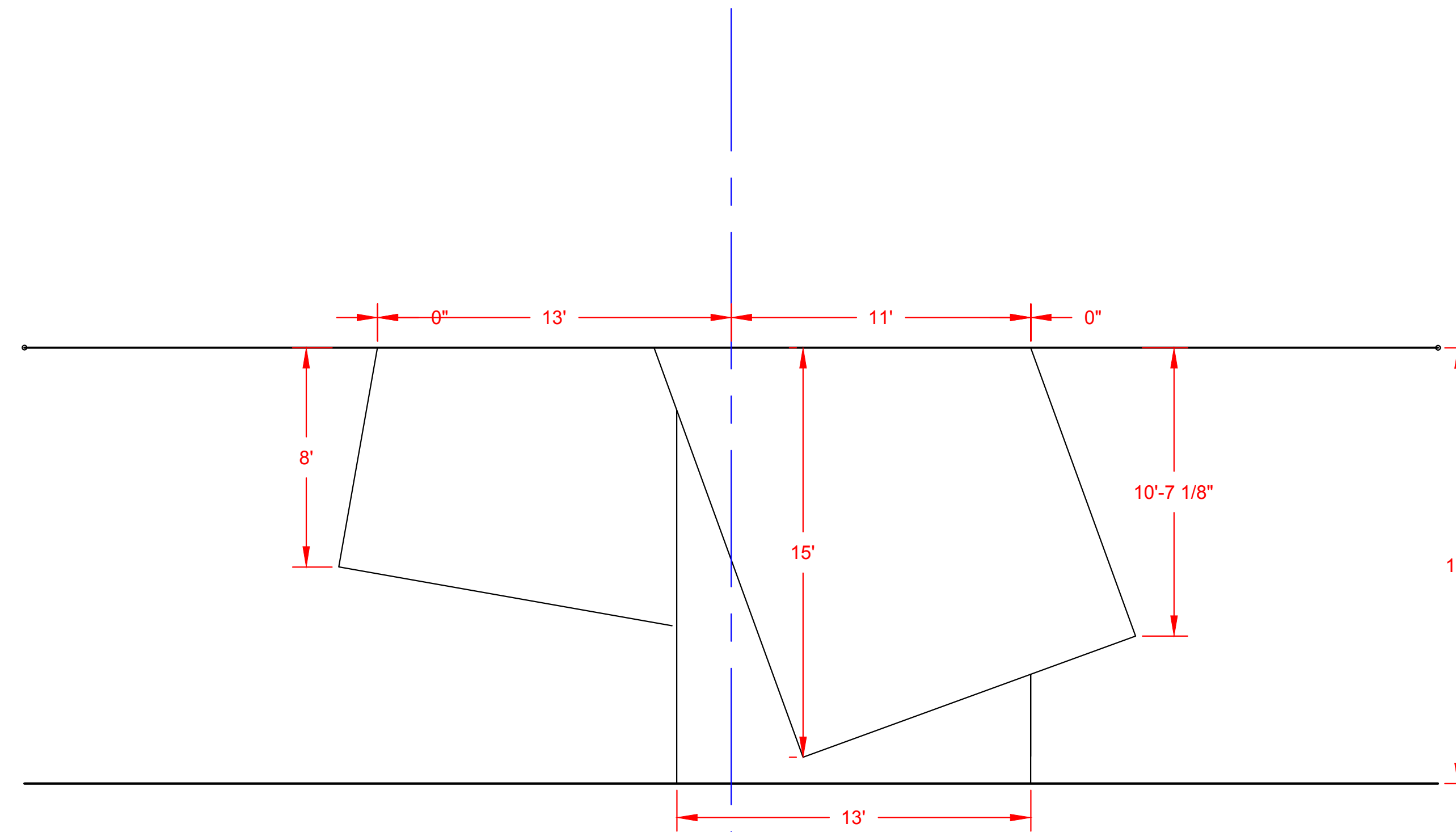
- ROPE DRESSED BY DESIGNER
- ROPE EDGES FRAYED
- COMPENSATE FOR SLACK ON ROPES TIED TO PIN RAIL
- CITY DROP WILL GATHER AT BOTTOM, DO NOT CUT

SWEENEY TODD

LINESET BREAKDOWN 2/3

SCALE: 1/4"=1'-0" DATE: 10/09/2022 DRAFT: P. LANCE

LINESET 30
LAYERED
DROPS



LINESET NOTES:
-EROSION CLOTH DRESSED BY DESIGNER

LINESET
29.1 (NEW)
EROSION
CLOTH

